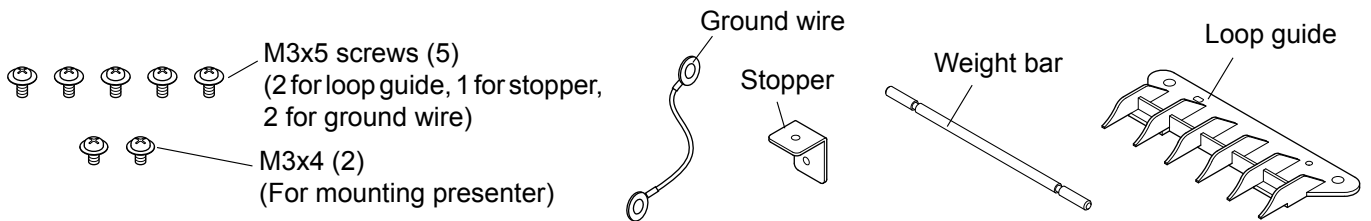


# Mounting the Presenter PR521

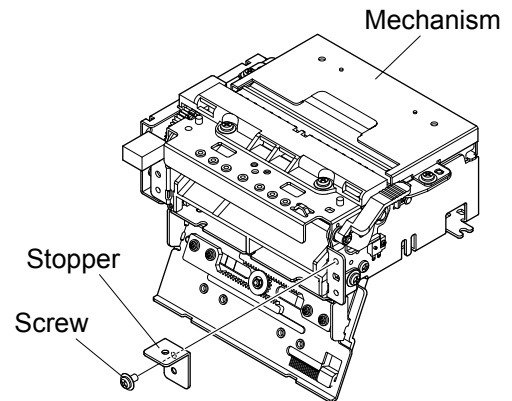
**1. Opening the Package:** Check that all of the accessories are included.



## 2. Mounting Procedures:

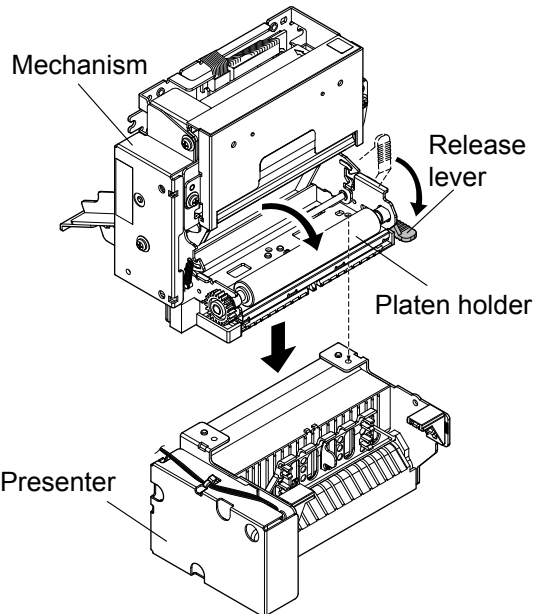
### 2-1 Mounting the Stopper

Using the M3x5 screw, secure the stopper onto the presenter.



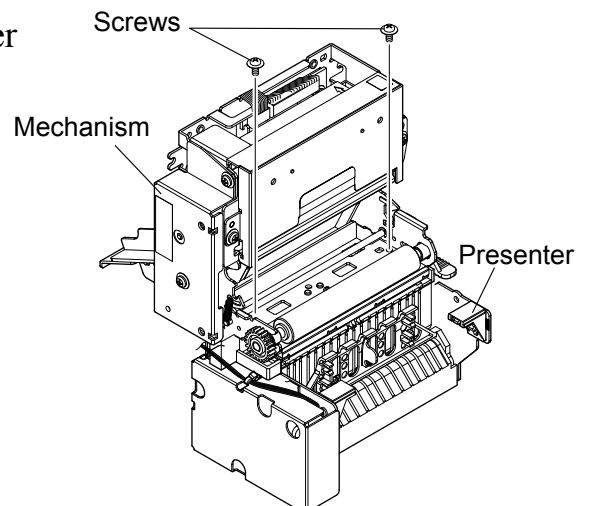
### 2-2 Mounting the Presenter

1. Lay the release lever on the mechanism side down and open the mechanism platen holder toward the direction of the arrow.

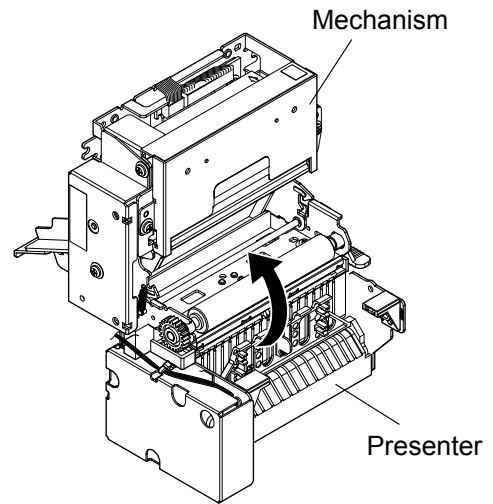


2. Position the screw holes as shown on the right, and place the mechanism on top of the presenter.

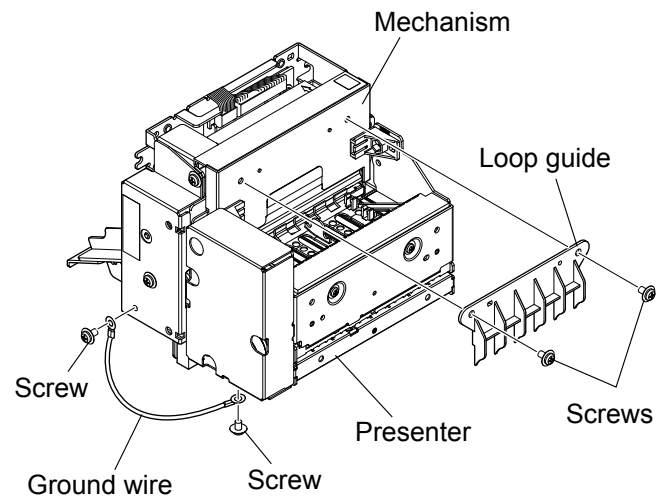
3. Using the two M3x4 screws, secure the presenter onto the mechanism.



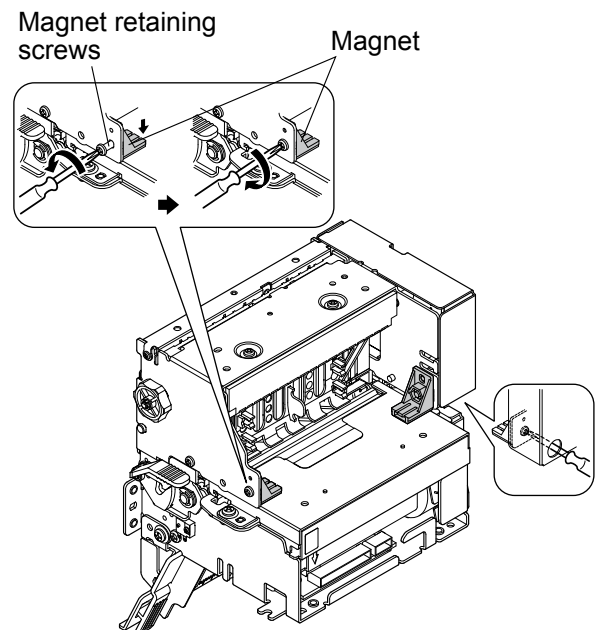
4. Raise the secured presenter to close in the direction of the arrow until it clicks into place.



5. Using the two M3x5 screws, attach the ground wire to the mechanism and the presenter.
6. If the loop guide is necessary, use the two M3x5 screws to mount the loop guide to the mechanism. For details on how to use the loop guide, see section 3-3 in the TUP500 Series Product Specifications.



7. Place the mechanism so that the paper outlet faces up (see the diagram on the right).
8. Using a screwdriver, momentarily loosen the magnet retaining screws (M2-6) at both ends.
9. The magnet will fall to a position where there is no gap to the mechanism. In this state, retighten the magnet retaining screws (M2-6).



If the weight bar is not to be used, keep it in a safe place where it will not be lost. For details on how to mount and use the weight bar, see section 3-3 in the TUP500 Series Product Specifications.